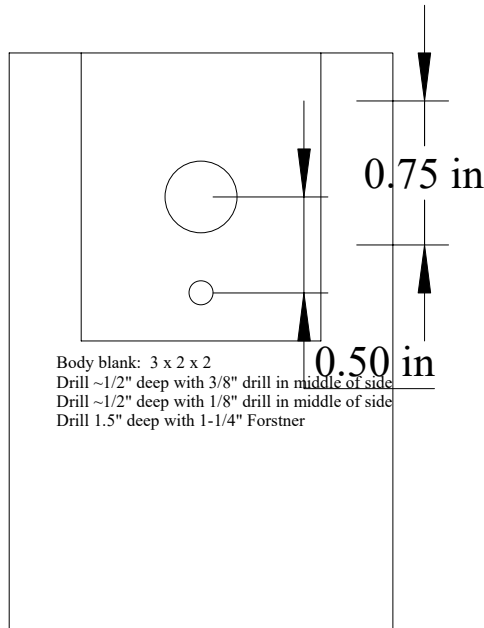
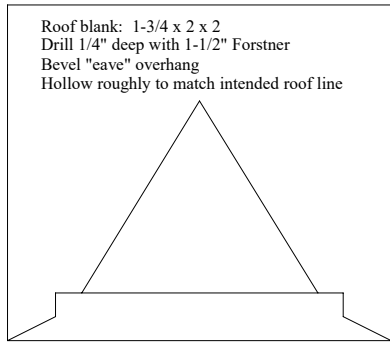
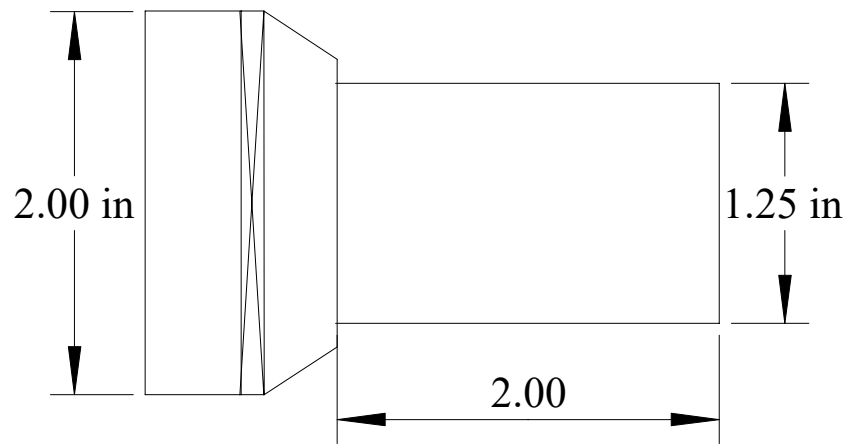
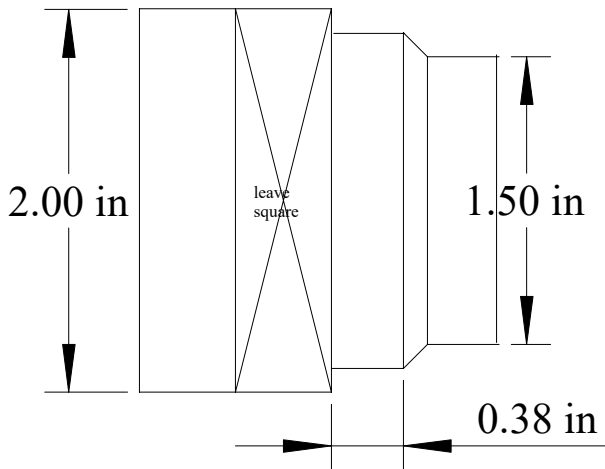


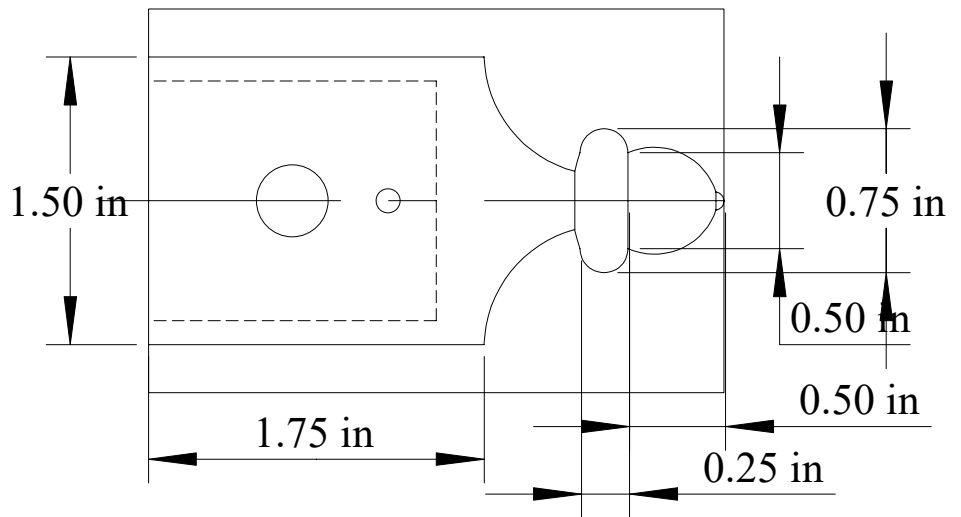
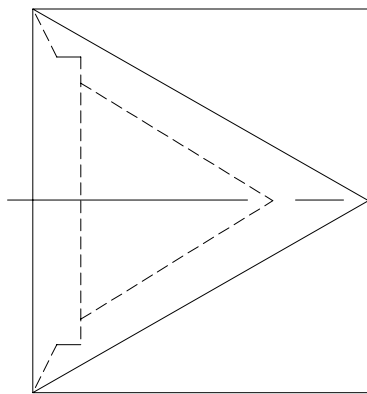
Blanks:



Mandrels:



Turning Patterns:



The mandrels are designed to be held in #2 jaws of a 4-jawed chuck. Any method of mounting a mandrel is fine, the only important thing is the length and diameter.

Mount the roof blank in the 4-jawed chuck. Drill in 1/4" with 1.5" forstner. Turn bevel. Sand and polish.

Drill entry and perch holes in face of roof blank.

Mount the body blank in the 4-jawed chuck. Drill 1.5" with 1.25" Forstner.

Mount roof mandrel in jaws. Mount roof blank on mandrel with tailstock support. Turn, sand and polish roofline.

Mount body mandrel in jaws. Mount body with tailstock support. Turn to 1.5" diameter.

Turn acorn finial. Sand and polish. Remove tailstock and sand and polish end of finial.

Turn perch with 1/8" tenon. Mount bird. Glue into body. Drill hole for hanger and mount.